

GT-SD652/682

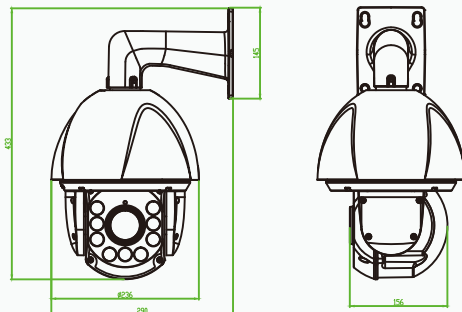
High Speed Dome IP Camera



Features

- Real-time H.264 Image Compression
- 1.3/2.0 Megapixels
- 18X optional Zoom
- IP65-rated protection against dust and rain
- Easy connection and installation

Product dimension figure



Technical Specifications

Model	GT-SD652 / GT-SD682
Performance	
Image Sensor	1/3" low-light CMOS / 1/2.8" Exmor CMOS
Image Resolution	1.3 Megapixels / 2.0 Megapixels
Minimum Illumination	Color: 0.1Lux@F1.6, B&W: 0.01Lux@F1.6
Day & Night	IR-Cut
IR Distance	100m
Focus Mode/Gain Compensation/ White Balance	AUTO/Manual
S/N	>50dB
Backlight Compensation	On/Off
Aperture	AUTO/Manual
Lens	4.7-84.6mm, 18X optional zoom
Horizontal View Angle	55.2-3.2°(Wide angle - Tele) 55.2-2.9°(Wide angle - Tele)
Pan	360° endless, 0.01-200°/S
Tilt	-5 ~ 92°, 0.01-60°/S
Zoom	18X optical zoom
Preset Position	255 preset positions
Video Compression	H.264
Dual-Stream	Support
Frame Rate	50Hz:15f (1280×960P)、25f (1280×720P) 60Hz:20f (1280×960P)、30f (1280×720P)
Image Settings	Brightness, contrast, saturation, color
Network	
Security	Multi-level users access with password protection; Authorized users and bound MAC address.
WDR	Support
Network Interface	10Base-T/100Base-TX Ethernet interface
Support Protocol	TCP/IP,HTTP,DHCP,DNS,RTP/RTCP, RTSP, PPPoE,SMTp,NTP, FTP, SNMP
Intelligent Alarm	Motion detection、 video and audio recording to edge storage
On board storage	
Storage	Snapshots and video clips
Alarm	
Alarm event	Motion detection, video blocked/covered alarm, storage space over/wrong
Alarm I/O	4-ch Input; 2-ch Output
General	
Casing	Camera: Metal (Aluminum Alloy) Transparent cover: High quality PC Color: white
Power Supply	DC12V±10% 4A (AC24V available)
Power Consumption	40W MAX
Working Conditions	-30 C ~ +65 C, < 90%RH non-condensing
Protection Rating	IP65
Net Weight	4kg
Dimension	Φ208(mm)×433(mm)